

FAIRBANKS®

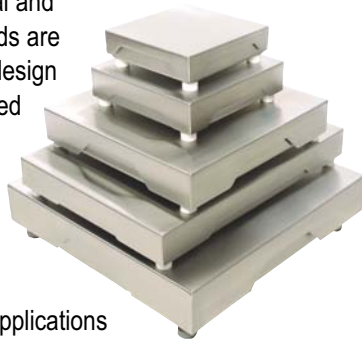
STAINLESS STEEL BENCH STANDS



Fairbanks space-saving Stainless Steel Bench Stands come in two standard sizes, but offer a variety of configuration options to fit most any bench scale weighing application.

MADE TO SUPPORT FAIRBANKS QUICKSILVER PLATFORMS

Fairbanks bench stands are constructed of high-quality 304 Series stainless steel that's easy-to-clean and provides long-term strength and durability in food preparation, chemical and pharmaceutical environments. These stands are designed for use with Fairbanks sanitary-design QuickSilver platforms and can be configured with mounting hardware to accommodate just about any scale instrument on today's market.



BENCH STAND CONFIGURATIONS

Fairbanks' small bench stand is ideal for applications that require a 10" x 10" or 12" x 12" QuickSilver platform. The large stand handles all QuickSilver platforms (10" x 10" to 24" x 24"). Both stands can be configured to handle different size and style instruments by adding a Yoke, Plate or Bracket Kit. Either can also be outfitted with an optional Wheel and Handle Kit for easy portability.

Fairbanks offers a Shelf Kit for the large stand that supports a Fairbanks FB3000 Solutions Series Instrument and EasyCoder® PM4i printer for bar code labeling applications.

The large stand also allows the instrument pillar to be mounted in three locations — left, center or right.

EASY TO ASSEMBLE

Fairbanks bench stands come with easy-to-follow assembly instructions. Assembly time is estimated at 30 minutes or less.

SPECIFICATIONS

Construction	304 Series stainless steel
Capacity	
Small stand	Up to 250 lbs
Large stand	Up to 600 lbs
Scale size	
Small stand	10" x 10" and 12" x 12" QuickSilver Bench Scale platforms
Large stand	All QuickSilver Bench Scale platforms
Accessories	Pillar Yoke Kit — Designed for use with Fairbanks stainless steel NexWeigh or FB2250 Series instruments; or any manufacturers stainless instrument with 11" width.

Pillar Plate Kit — Designed for any stainless Fairbanks instrument that mounts with a desk/wall bracket and most other manufacturers stainless instruments with a desk/wall mount bracket.

Pillar Bracket Kit — Designed for use with Fairbanks stainless steel instruments; or any manufacturer's stainless steel instrument with a side-mount width of 8.13"-12.5".

Pillar Shelf Kit — Designed for mounting Fairbanks FB3000 Series Instruments and bar code printers or other instrument-printer combinations.

Portability Kits - Wheels and handles.

Dimensions Shown on back page

QuickFacts™

Models and specifications subject to change without notice.
Printed in the USA. © Fairbanks Scales Inc.
www.Fairbanks.com



St. Johnsbury manufacturing
facility registered in
compliance with ISO 9001:2000.

Call toll-free for the Fairbanks representative nearest you:
(800) 451-4107

FAIRBANKS®

STAINLESS STEEL BENCH STANDS DIMENSIONS

SMALL STAND WITH PORTABILITY KIT AND PLATE KIT

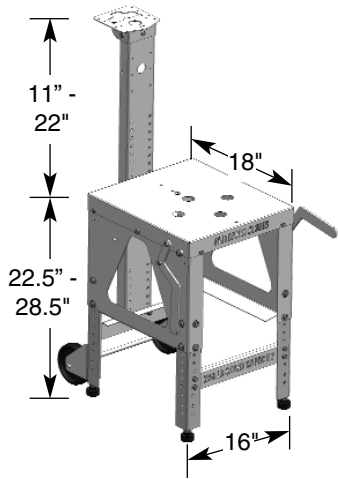
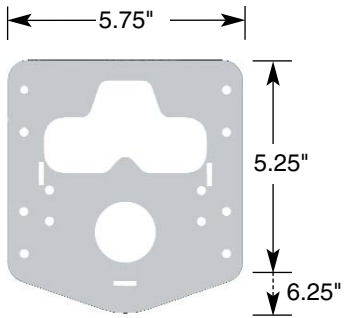
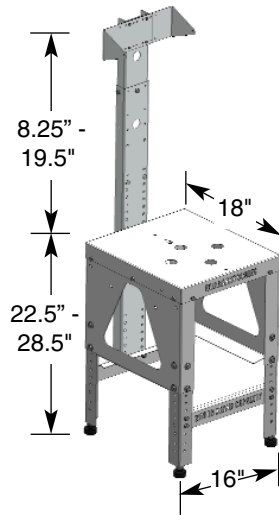


PLATE KIT

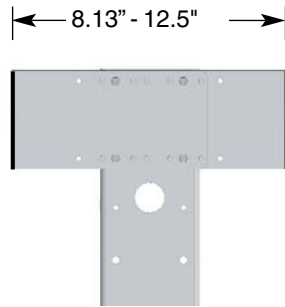


(Top View)

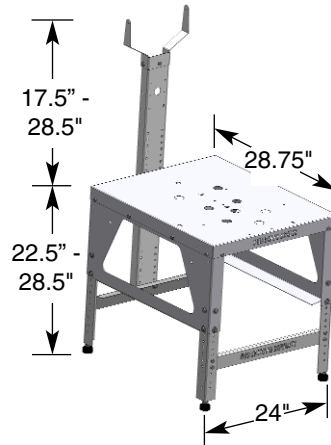
SMALL STAND WITH EXTENSION AND BRACKET KIT



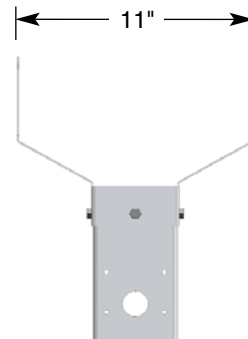
BRACKET KIT



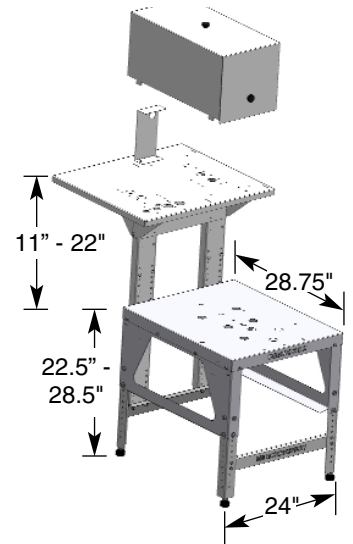
LARGE STAND WITH YOKE KIT



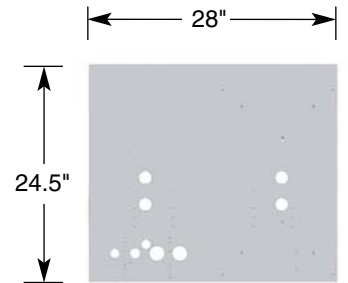
YOKE KIT



LARGE STAND WITH SHELF KIT



SHELF KIT



(Top View)

QuickFacts™

Models and specifications subject to change without notice.
Printed in the USA. © Fairbanks Scales Inc.

Call toll-free for the Fairbanks representative nearest you:

(800) 451-4107

Internet Address: <http://www.Fairbanks.com>

11/09

100063