

# FAIRBANKS®

## S C A L E S



## YELLOW JACKET

### U-SHAPED FLOOR SCALE

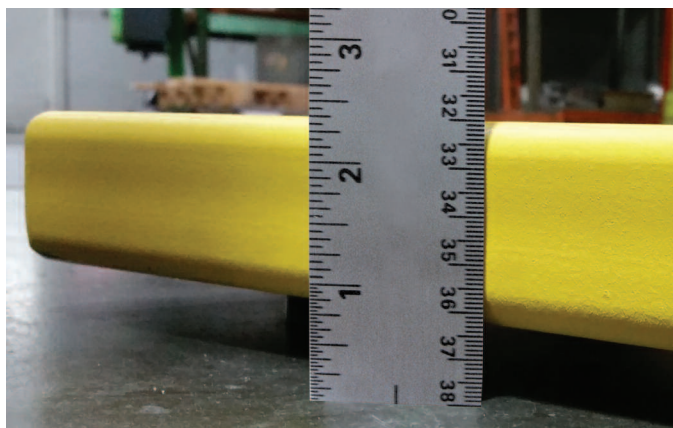
Durable floor scale uniquely designed to work in sync with pallet jacks in noncommercial pallet, skid and tote weighing applications.

# YELLOW JACKET

## U-SHAPED FLOOR SCALE

Weighing Solutions for the World Since 1830

Fairbanks.com



Low 2.4" profile enables easy on- and off-loading for most pallet jack brands.

### U-SHAPED DESIGN

In applications that use pallet jacks to transport product housed on pallets, skids or totes, the Yellow Jacket U-Shaped Floor Scale is an excellent weighing choice. That's because this scale's minimal design reduces material handling time, cuts installation costs and eliminates the need for ramps or pit frames. With two built-in lifting handles, this scale also becomes highly portable when you add a wheel kit accessory.

### LOW-PROFILE BENEFITS

At 2.4 inches in height, the Yellow Jacket U-Shaped Floor Scale has the lowest profile of any scale of its type in the industry. This feature enables the scale to handle a greater variety of pallets, skids and totes, due to the minimal lifting height requirement for the pallet jacks that load product onto and remove product from the platform.

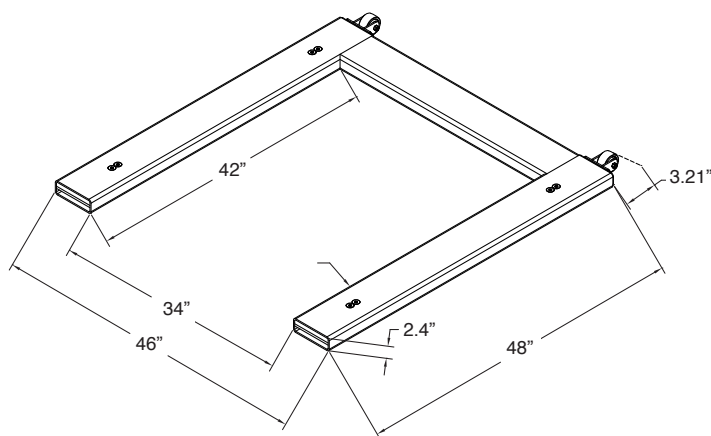
### FEATURES

- 5000 lb capacity
- U-shaped design
- Built-in lifting handles
- OSHA friendly
- Stainless steel or mild steel construction
- Factory Mutual approved stainless steel load cells
- Meets NIST Handbook 44 specifications, tolerances & requirements

### SPECIFICATIONS

Capacities . . . . .	5000 lbs
Platform	
Construction . . . . .	304 Series stainless steel - brushed finish, Type A35 carbon steel - yellow powder coat
Height . . . . .	2.4"
Dimensions . . . . .	46" x 48" (outside) 34" x 42" (inside opening)
Thickness . . . . .	3/16"
Tread . . . . .	Smooth surface
Overload capacity . . . . .	150% of rated scale capacity
Endloading . . . . .	100% of rated scale capacity
Grade Level . . . . .	In operation, scale must be firmly supported at all four corners and within 3° of level
Humidity . . . . .	0 to 95% non-condensing (carbon steel)
Cable length . . . . .	30' (platform to instrument)
Accessories . . . . .	Quick disconnect, wheel kit, factory calibration
Load cell	
Construction . . . . .	Stainless steel
Resistance . . . . .	1000 Ω ± 1%
Approval . . . . .	Factory Mutual

### DIMENSIONS



Your Fairbanks Scales Authorized Representative is:

Call toll-free for the representative nearest you:

**(800) 451-4107**

Call between 8:00 a.m. – 5:00 p.m. Central Time

Corporate Offices: 821 Locust • Kansas City, MO 64106 • (816) 471-0231

Internet Address: <http://www.Fairbanks.com>

