

**RICE LAKE**  
RETAIL SOLUTIONS

**ISHIDA**

800-472-6703 [www.ricelake.com/retail](http://www.ricelake.com/retail)



# Uni-9 Series

PC-BASED PRICE COMPUTING SCALE



*Actual size Uni-9 Bench Model*



# Feast your eyes on the Uni-9 Series

The Uni-9 Series delivers the gourmet experience in retail weighing and wrapping through a large, vivid display and advanced communication all in a more compact design.



*Shown with optional platter*

## Standard Features

- Dual-range weighing (0-15 x 0.005lb and 15-30 x 0.01 lb)
- PC-based scale operating system allows stores to use the scale browser to enter orders right from the scale, advertise throughout the store with video capabilities, and perform remote diagnostics and maintenance.
- Available in multiple configurations to best suit your store needs, including:

Bench Pole	Remote scale Elevated Self-service	Hanging Bakery printer Reduced Operator Display
------------	------------------------------------	---

- Solid State Drive eliminates moving parts to increase the scale's life, consume less power, and speed up data access
- Customer display can play video on either 12.1 inch (800x600) or 7 inch (800x480), bench type only
- Wireless communication, 802.11 b/g
- Intra-net browsing capabilities for order entry, recipe lookup and more
- Fully compliant with RoHS regulations for a completely lead-free machine
- Compatible with third-party communication software, including ADC's InterScale and Invatron's PLUM

## Options and Accessories

- Linerless Label Cassette helps reduce waste while nearly doubling the paper stock
- USB scanner
- Cash drawer
- Up to seven label cassettes allow quick label changing
- SD memory card stores transaction data, images and videos
- ScaleLink Pro-5 scale management software, including screen design, label design, data backup and remote diagnostics

MAY.22.2014 (THU) 13:37 1/2

0	NONE
1	United States
2	Canada
3	Mexico
4	Brazil
11	Australia
12	New Zealand
13	Chile
14	Argentina
21	Japan

SEARCH TEXT    SEARCH    JUMP

Country of Origin

IMAGE 1 MAY.22.2014 (THU) 13:38 2/4

No.	IMAGE	No.	IMAGE	No.	IMAGE	No.	IMAGE
36	FRESH FRY	45	STUPPED	54	NEW ITEM	63	SHRIMP
37	SEND MESSAGE	46	TRY ME! NEW ITEM	55	NEW ITEM	64	SHRIMP
38	SEND MESSAGE	47	Thank You	56	FRESH DAILY	65	SHRIMP
39	100% PORK	48	TODAY'S SPECIAL	57	Thin Sliced	66	SHRIMP
40	100% PORK	49	USA	58	THICK SLICED	67	COUNTRY STYLE
41	REDUCED FOR QUICK SALE	50	USA	59	US OF A BREWERY	68	pork
42	SHRIMP	51	SHRIMP	60	Family Pack rth	69	SHRIMP
43	SPECIAL PRICE	52	Wafers THIN	61	SHRIMP	70	ISHIDA
44	TENDERIZED	53	100% USDA CHOICE	62	SHRIMP	71	RICE LAKE RETAIL SOLUTIONS

10    24    36    DETAIL

Image Library

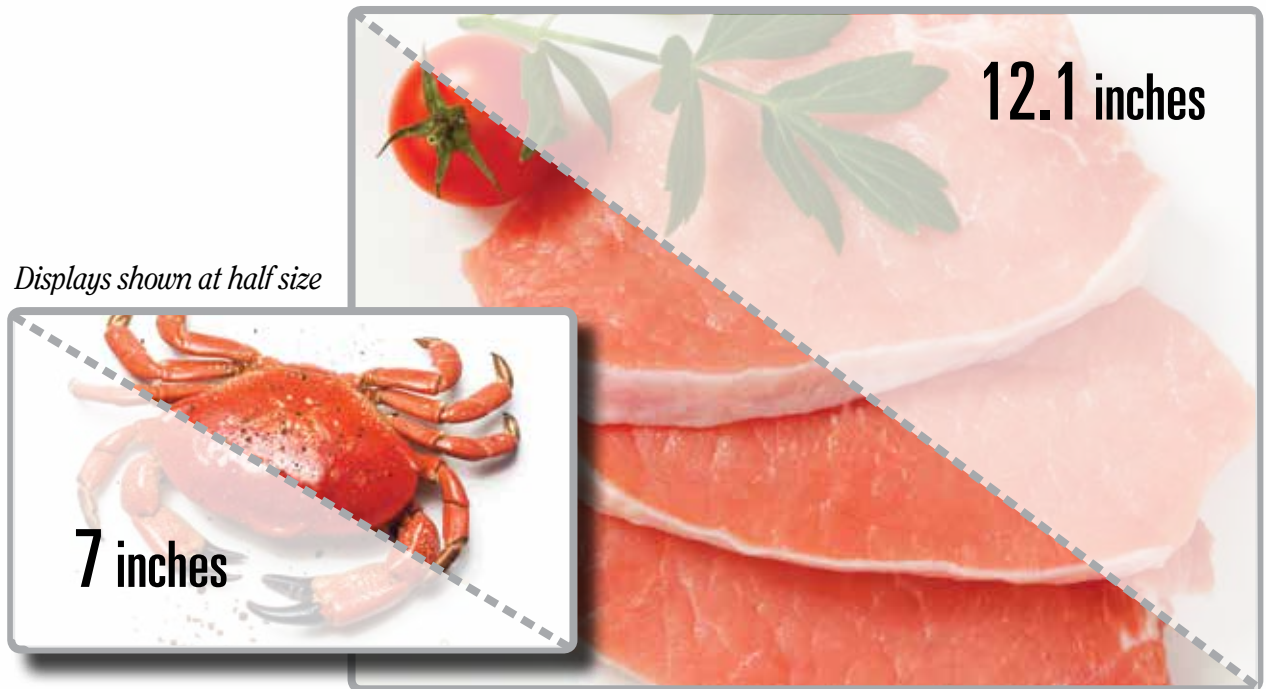


# Modern retail settings want more functionality in less space.

Retailers will appreciate the Uni-9's compact design that fits nicely on virtually any size counter, occupying a very small footprint. This PC-based touchscreen scale is available with a seven- or 12-inch LED backlit customer display for stunning promotional images and videos. The PC-based technology together with a crystal-sharp LED display provide more marketing capabilities such as video with sound and product pairing. In addition, more behind-the-counter functions such as store intranet access through a browser, recipe lookup, order entry and training videos reduce the need for additional PCs in all departments.



*Customer side display featuring an in-store promotion.*



# Up to seven different printer cassettes

Once a cassette is installed, the Uni-9 automatically detects correct label format settings, eliminating setup time when changing product. An optional liner-less cassette uses no backing paper, doubling the usable paper amount with less waste, keeping operations green and uninterrupted longer.





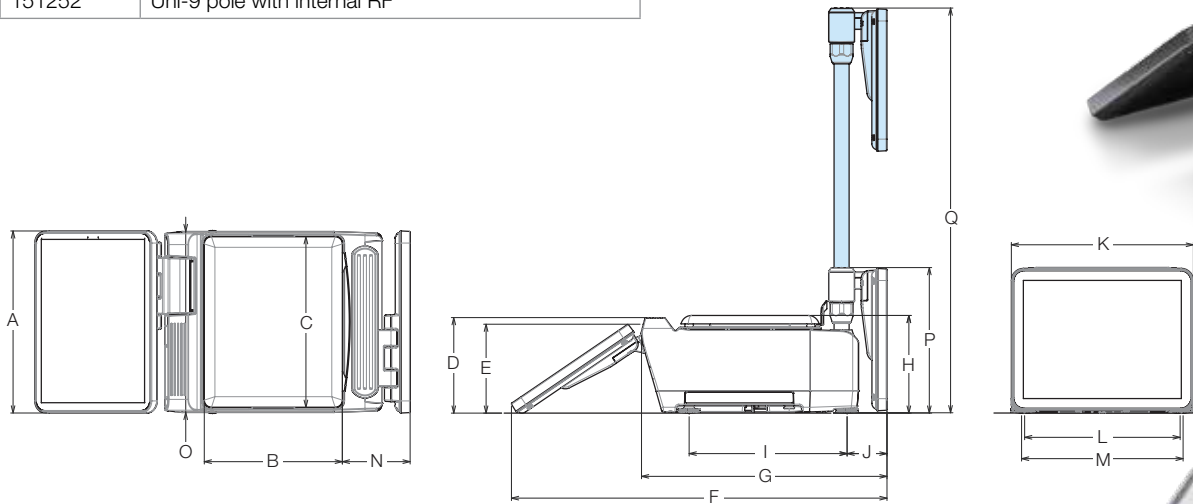
# Technology means convenience

Network connectivity allows for remote scale management and updates. A frequent-seller feature determines popular items and strategically places them on the user's screen for added convenience and efficiency. Operators will especially find the universal interface of the Uni-9 easy to navigate from any department.

# Uni-9 Short Pole Scale/Pole Scale

The pole and short pole models' low-profile base combined with larger display screens is optimal for keeping eye contact with customers and still providing an ergonomic setup for employees. The short pole model is for use on the countertop, providing a 12-inch display for customer view while offsetting an easy-to-use touchscreen display behind the counter. The pole scale model is used behind the counter, providing a raised customer display above the countertop.

PART #	MODEL
151251	Uni-9 short pole with internal RF
151252	Uni-9 pole with internal RF



DIMENSIONS SHORT POLE			
<b>A</b>	11.9 in (302 mm)	<b>I</b>	10.3 in (262 mm)
<b>B</b>	9.0 in (229 mm)	<b>J</b>	1.9 in (47 mm)
<b>C</b>	11.1 in (283 mm)	<b>K</b>	11.9 in (302 mm)
<b>D</b>	6.2 in (158.5 mm)	<b>L</b>	10.6 in (268 mm)
<b>E</b>	5.8 in (147.5 mm)	<b>M</b>	10.2 in (258 mm)
<b>F</b>	24.5 in (623 mm)	<b>N</b>	4.4 in (112.5 mm)
<b>G</b>	16.0 in (407 mm)	<b>O</b>	11.8 in (300 mm)
<b>H</b>	6.4 in (162 mm)	<b>P</b>	9.5 in (241.5 mm)

POLE	
<b>Q</b>	26.5 in (671.5 mm)



Shown with optional platter



# Uni-9 RP Remote Platter

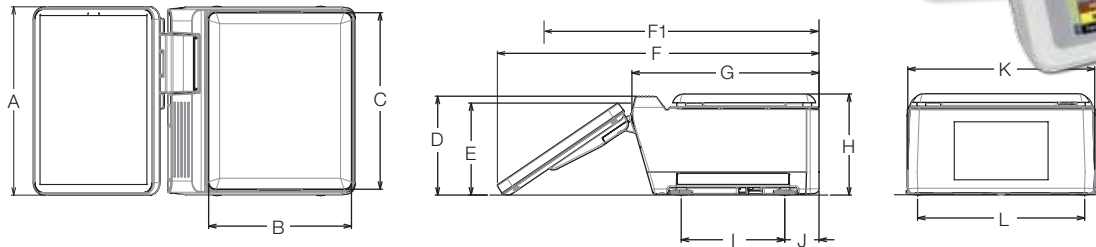
The Uni-9 RP is capable of weighing and wrapping nonstandard sizes and shapes when used in conjunction with a wrapping station. The Uni-9 RP is available in standard 30 lb capacity or optional 60 lb capacity. In addition to a larger capacity option, the Uni-9's PC-based technology allows the scale base to communicate with PCs via Ethernet or Wi-Fi, providing optimal workspace flexibility.

PART #	MODEL	CAPACITY
160264	Uni-9 RP scale with internal RF	15 lb x 0.005 lb/ 30 lb x 0.01 lb
160266	Uni-9 RP scale with internal RF	0-60lb x 0.01 lb

# Uni-9 Bench Scale

The Uni-9 bench scale is available with or without a seven-inch customer display and is ideal for both backroom and front counter operations. This Uni-9 model offers wireless remote operation allowing for more flexible placement of the scale.

PART #	MODEL
151250	Uni-9 bench with internal RF
168873	Uni-9 DB bench with internal RF



DIMENSIONS BENCH		
<b>A</b>	11.9in (302mm)	<b>E</b> 5.8in (147.5mm)
<b>B</b>	9.0in (229mm)	<b>F</b> 20.3in (516mm)
<b>C</b>	11.1in (283mm)	<b>G</b> 11.8in (300mm)
<b>D</b>	6.2in (158.5mm)	<b>H</b> 6.4in (162mm)

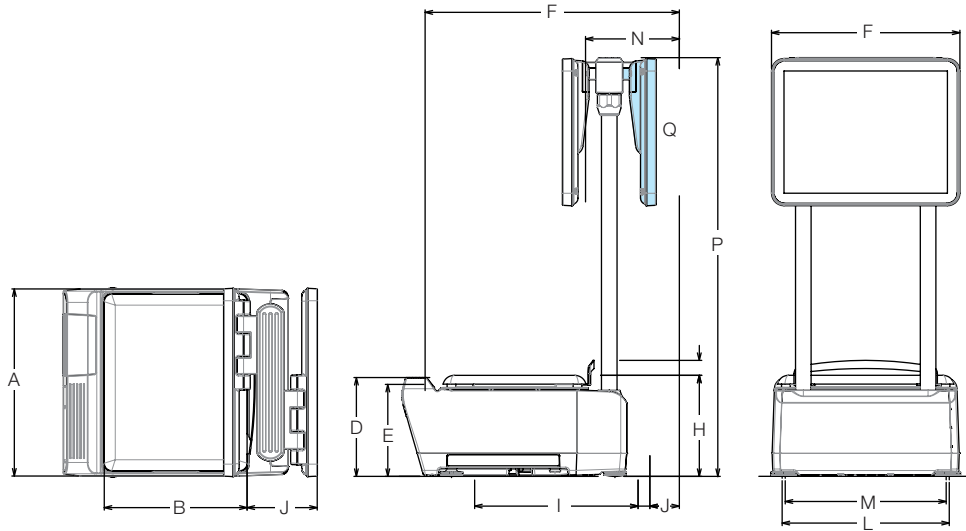
DB MODEL	
<b>F1</b>	16.3in (415mm)



# Uni-9 Elevated Displays

The Uni-9's eye-level displays ensure operator focus remains on the customer. Interacting with the touchscreen can be accomplished while maintaining customer eye contact. The screens are adjustable to almost any angle, while the printer and scale base are conveniently mounted at workstation-level.

PART #	MODEL
Consult	Uni-9 elevated display keyboard



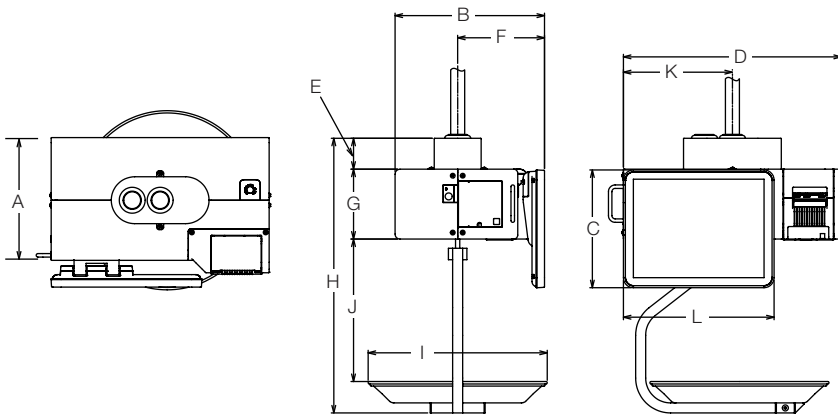
DIMENSIONS ELEVATED KEYBOARD		
<b>A</b>	11.8in (300mm)	<b>H</b> 6.4in (162mm)
<b>B</b>	9.0in (229mm)	<b>I</b> 10.3in (262mm)
<b>D</b>	6.2in (158.5mm)	<b>J</b> 1.9in (47mm)
<b>E</b>	5.8in (147.5mm)	<b>K</b> 11.9in (302mm)
<b>F</b>	16.1in (408mm)	<b>L</b> 10.6in (268mm)
		<b>M</b> 10.2in (258mm)
		<b>N</b> 5.9in (150mm)
		<b>P</b> 26.4in (671.5mm)
		<b>Q</b> Customer Display



# Uni-9 Hanging Scale

The suspended ergonomic design of the Uni-9 hanging type follows quickly on the heels of the first color touchscreen hanging scale on the market, Ishida's Uni-7 hanging scale. Ideal for seafood and other high-moisture foods, the suspended design keeps product away from the operator touchscreen, which resounds with a beep when buttons are pressed. Customers and employees alike will find the large 12-inch display easy to read and use.

PART #	MODEL
155695	Uni-9 hanging scale with internal RF



DIMENSIONS			
<b>A</b>	10.7 in (271 mm)	<b>G</b>	5.5 in (140 mm)
<b>B</b>	11.8 in (300 mm)	<b>H</b>	21.7 in (550.5 mm)
<b>C</b>	9.3 in (236 mm)	<b>I</b>	14.1 in (359 mm)
<b>D</b>	17.2 in (437 mm)	<b>J</b>	11.2 in (285.5 mm)
<b>E</b>	2.4 in (62 mm)	<b>K</b>	8.6 in (218.5 mm)
<b>F</b>	6.9 in (174 mm)	<b>L</b>	11.9 in (302 mm)
MOUNTING SPECIFICATIONS			
Pipe: 1.10 in outside diameter			



## Specifications (common to all models)

### Capacity (Dual Range):

0-15 lb x 0.005 lb, 15-30 lb x 0.01 lb

### Print Speed:

3.2 /3.9 /4.7 /5.9 in/sec  
(80 /100 /120 /150 mm/sec)

### Label Size:

Width: 1.2 in - 2.5 in (30mm - 64mm)  
Length: 0.8 in - 7.9 in (20mm - 200mm)

### Display:

Operator Side: 12 in (800 x 600) color touch panel  
Customer Side: 7 in (800 x 480) or 12 in (800 x 600)  
for bench, 12 in for other models  
Type: Five-wire resistive

### Display Items:

Tare: Four-digits  
Unit price: Six-digits  
Weight: Five-digits  
Total price: Six-digits

### Memory:

SSD memory 250MB

### Communications:

Static TCP/IP 1G Base T Ethernet (auto-duplex)  
Wireless WEP/WPA/WPA2

### Input/Output:

LAN 1 channel  
USB 4 channel  
SD 1 channel (SDHC: MAX 4 GB)  
(for transaction data)  
Drawer 1 channels  
\*Barcode Scanner: Ethernet

### Operating Voltage:

Range: 100-240V, 50/60 Hz  
Permissible Tolerance: +/- 10%

### Operating Environment:

32°F to 104°F (0°C to 40°C)  
20-85% relative humidity

### Power Supply:

AC100-240V, 50/60 Hz

### Power Consumption:

Stand-by: 50W,  
In operation: 120W

### Classification:

NTEP CC 12-121  
UL listed

### Warranty:

One-year limited warranty

### Approvals:





SALES / PLU 0

APR.09.2014 (WED) 16:58

CHECK THE WEIGHT BEFORE PRODUCTION.  
ENTER PLU No. AND PRESS [PLU] KEY.

TARE	ib	ZERO	WEIGHT	ib	UNIT PRICE	\$/ib	TOTAL PRICE	\$
0.000			0.385		0.00		0.00	



ASPARAGUS



GREEN BEANS



BANANAS



BING CHERRIES



GRANNY SMITH APPLES

VEGETABLES

LEAF LETTUCE

CITRUS FRUITS

APPLES



Navigation and function buttons: <, TARE, U/P, FIX, →0←, FEED, LABEL BATCH, PLU, c, SUBTOTAL, and numeric keypad (0-9).

Capacity 0-15lb x 0.005lb 15-30lb x 0.01lb